

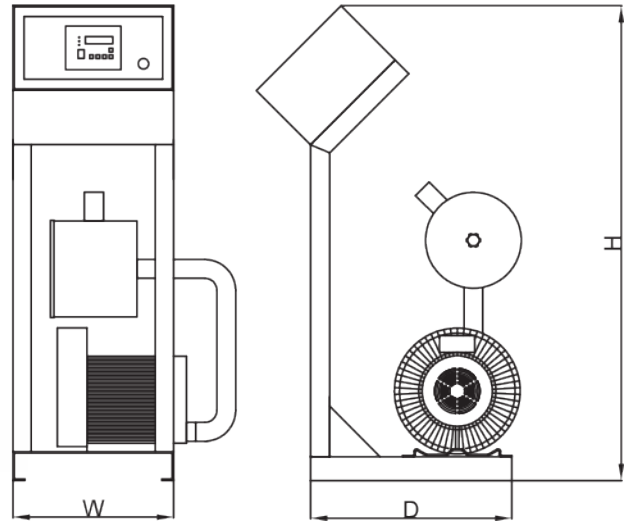
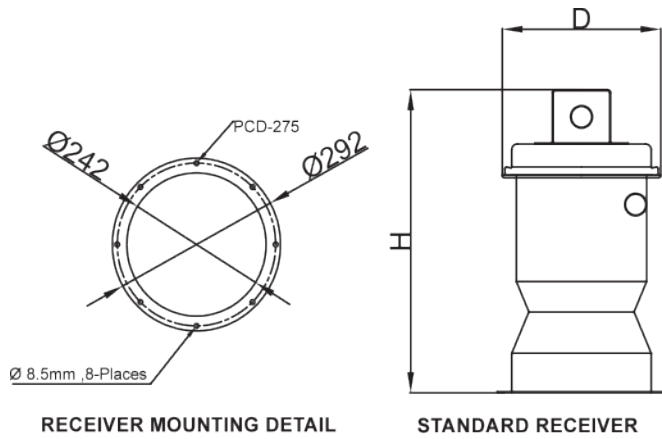
AUTO LOADER

- SS 304 Receiver Belly
- User Friendly Controller
- Durability
- Low Power Consumption
- Low Cost & Easy Maintenance
- Best Performance



SINCE 2012





KEY FEATURES OF RTECH AUTO LOADER:

- SS304 Receiver Belly as Standard.
- SS Flapper.
- High Efficiency Paper filter for Dust (Cartridge Filter).
- Anti – Static PVC Flexible Thunder Hose for Material & Vacuum Line.
- Hooter Alarm for Faults likes Material Shortage, Pump Trip etc...
- Caster Wheel for Easy movement.
- SS Mesh Filter is provided in Receiver belly to Separates Raw Material from Air.
- Easy Operation and Maintenance.
- For Reliability & Safety All electrical switch gears are use Schneider Make.

OPTION AVAILABLE:

- Ratio Loader pneumatically.
- PU Pipe for conveying hot material.
- SS Pipe for conveying material.
- Cyclone Separator with Dust Collector.
- Pneumatic Line Cleaning arrangement.

Technical Specification -RTL

Model	OUTPUT (KG./HR)	Blowing Power in KW	Power supply	Manual Cleaning	Auto Cleaning	Twin	Trio	Quadruple
RTL-M3-09	150	0.9	415V,3Ø	✓	–	–	–	–
RTL-A3-09	150	0.9	415V,3Ø	–	✓	–	–	–
RTL-M3-15	250	1.5	415V,3Ø	✓	–	–	–	–
RTL-A3-15	250	1.5	415V,3Ø	–	✓	–	–	–
RTL-M3-22	450	2.2	415V,3Ø	✓	–	–	–	–
RTL-A3-22	450	2.2	415V,3Ø	–	✓	–	–	–
RTL-M3-40	750	4	415V,3Ø	✓	–	–	–	–
RTL-A3-40	750	4	415V,3Ø	–	✓	–	–	–
RTL-2M3-15	100X2	1.5	415V,3Ø	✓	–	✓	–	–
RTL-2A3-15	100X2	1.5	415V,3Ø	–	✓	✓	–	–
RTL-3M3-22	100X3	2.2	415V,3Ø	✓	–	–	✓	–
RTL-3A3-22	100X3	2.2	415V,3Ø	–	✓	–	✓	–
RTL-4M3-40	80X4	4	415V,3Ø	✓	–	–	–	✓
RTL-4A3-40	80X4	4	415V,3Ø	–	✓	–	–	✓

*All above Output (KG/HR) is consider for standard distance.

RECEIVER DIMENSIONS IN MM		
LTR	H	D
10	550	275
20	750	275

TROLLEY DIMENSIONS IN MM		
W	D	H
335	420	990

*All Data are Subject to Change without prior notice.